

Braco Single compression Through Glands are specially designed for unarmored/Flexible cables as per BS 6121 Part 1: 2005. These Glands are mainly manufactured out of brass but can be supplied in SS-304/316 and Aluminium also.

These Glands have One Rubber seal to ensure proper grip on Cable Outer Sheath. Brass Glands are nickel plated to avoid corrosion whilst storage and use. SS and Aluminium Glands are treated with ultrasonic bath.

These Glands are suitable for use under most climatic conditions and are certified by Central Institute of Mining and Fuel Research, Dhanbad for use in weather proof conditions. These Glands are rated with IP protection upto IP-65 Levels.

These glands are available in different sizes, suitable for all types of unarmored/ flexible cables upto 1000 sq.mm

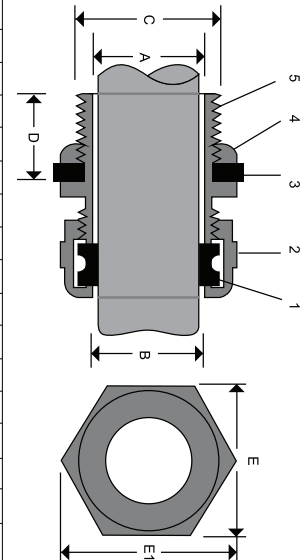
Suffix – BCT= for Brass Glands, SCT= for SS Glands and ALCT= for Aluminium Glands

Threads can be ET/ mm/NPT as per requirement



Braco Make Single Compression Glands (Weather proof) Through Type for Unarmoured Cables.

Sr. No.	Braco Cat. No.	B	A	A/F E	A/C E1	Nipple thread C	D	Above	Upto
1	BCT-001SS	11	14	22	25	3/4"	12	5	10
2	BCT-001S	14	14	22	25	3/4"	12	10	13.5
3	BCT-001	15	15	24	27.5	3/4"	12	11	14.5
4	BCT-01 L	20	19	28	31	1"	15	14	18
5	BCT-02	20.5	20.5	30	35	1"	15	18	20
6	BCT-03 SP	23	23	32	36.5	28mm	15	20	23
7	BCT-04L	28	27	37	43	1-1/4"	15	23	26
8	BCT-05 L	31	31	41	47	1-1/2"	20	26	30
9	BCT-06 SP	35	34	47	54	40mm	20	30	33
10	BCT-07 SP	39	37	52	59	42mm	20	33	36
11	BCT-08	43	43	55	63	2"	20	36	41
12	BCT-09	47	45	57	66	2"	20	41	44
13	BCT-010L	54	54	67	77	2-1/2"	20	44	52
14	BCT-011S	56	56	70	81	2-1/2"	20	52	55
15	BCT-011L	61	60	80	92	70mm	20	55	60
16	BCT-012	68	67	84	97	3"	20	60	66
17	BCT-013SL	73	72	90	103	3-1/4"	20	66	72
18	BCT-013	79	78	99	113	3-1/2"	20	72	78
19	BCT-014	85	84	105	118	3-3/4"	20	78	83
20	BCT-015	95	94	113	128	4"	20	83	93
21	BCT-016	106	105	125	140	4-1/2"	20	93	104



- | | |
|--------------------|---------------------|
| Description | Material |
| 1. outer seal | Nitrile Rubber (R1) |
| 2. Sealing Nut | Brass |
| 3. Flat washer | Nitrile Rubber |
| 4. Check Nut | Brass |
| 5. Gland barrel | Brass |

Note:

1. Material : Brass as per IS-12943:1990 OR Aluminium HE-30 Grade OR SS-304/316
2. Gland Entry Thread : BSC & MM as specified (BSP or Npt also in special case)
3. Nickel plated with plating thickness min 10 microns as per IS 12943:1990 (only in case of Brass)
4. IP protection - IP-65