

TECHNICAL DATA SHEET



RUJUTA **CORPORATION**

14, Tawawala Building, 36, Lohar Chawl,
Mumbai - 400002
Mumbai 400 064.

Contact No : 9082463426 , 8169580098

Mobile No : 9820825440, 9769789105

Landline : 022-44517539 Talkfree : *7213

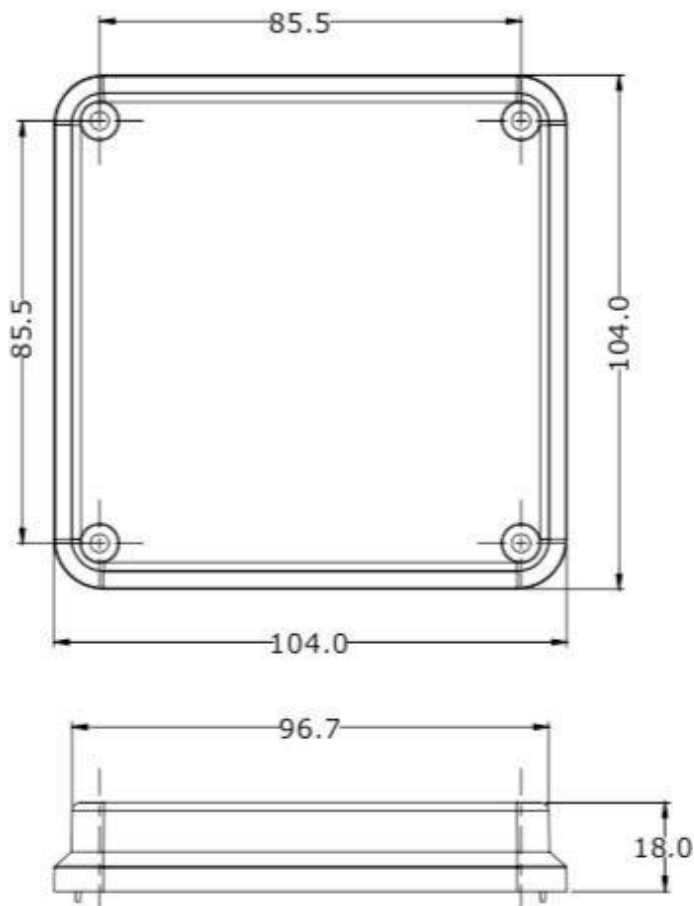
Email:rujutaent@gmail.com

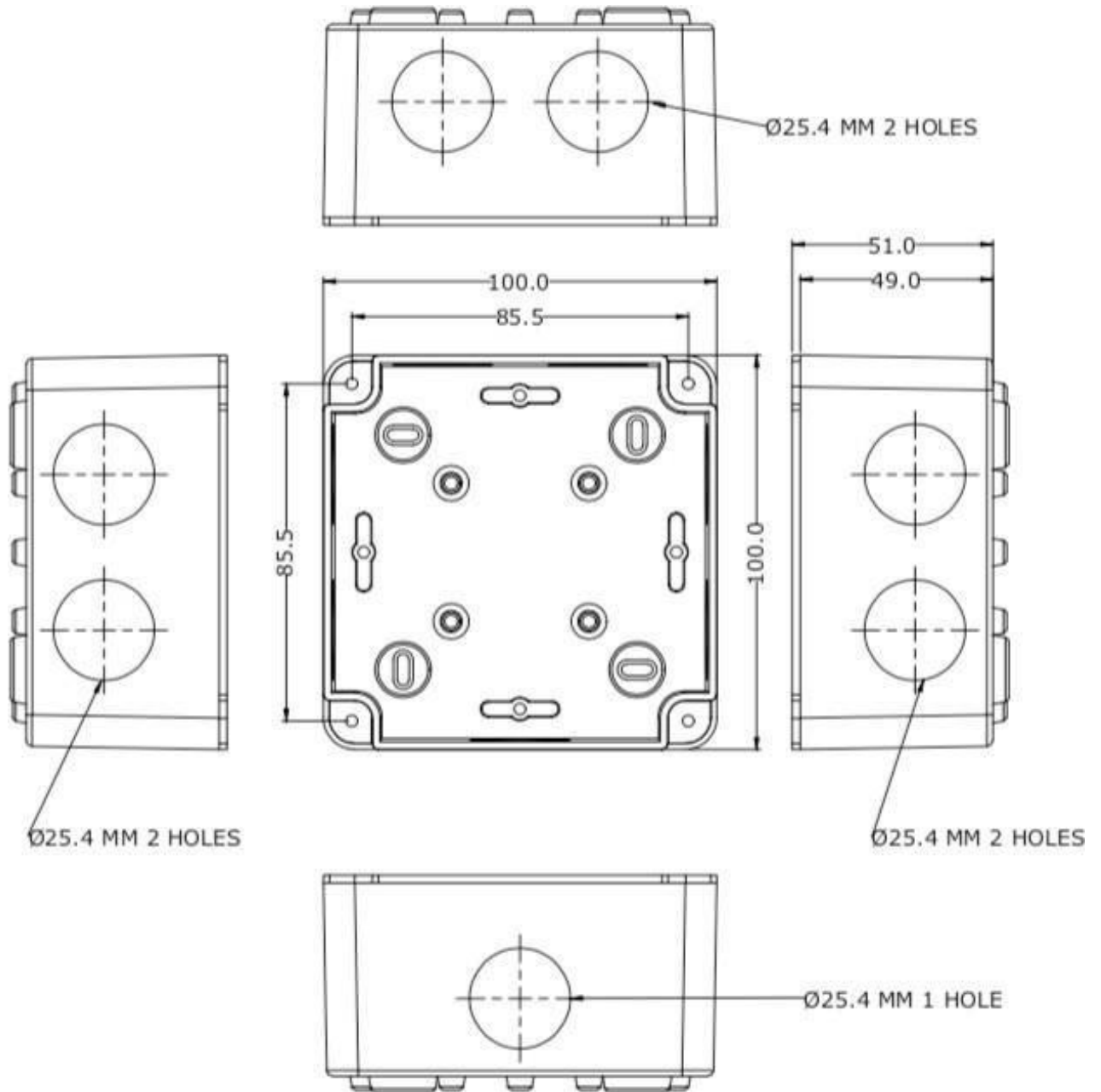
Website: <http://www.rujutaent.com/>

PRODUCT DESCRIPTION

Product Name	Waterproof ABS Junction Boxes
Product Catalogue No.	JJB-100
Product Material	ABS
Product Colour Shade	White
Gasket Material	White Silicone Rubber
Screws Material	Mild Steel - White Zinc Plated
Product Dimensions (In mm)	100 x 100 x 70

PRODUCT DRAWING





Checked by –
Abhishek Shinde
Sr. Engineer-Quality Assurance