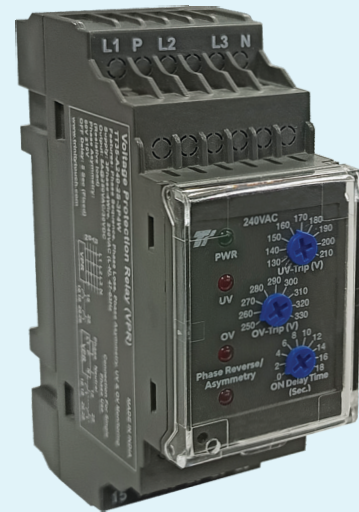




Three Phase Voltage Monitoring Relays



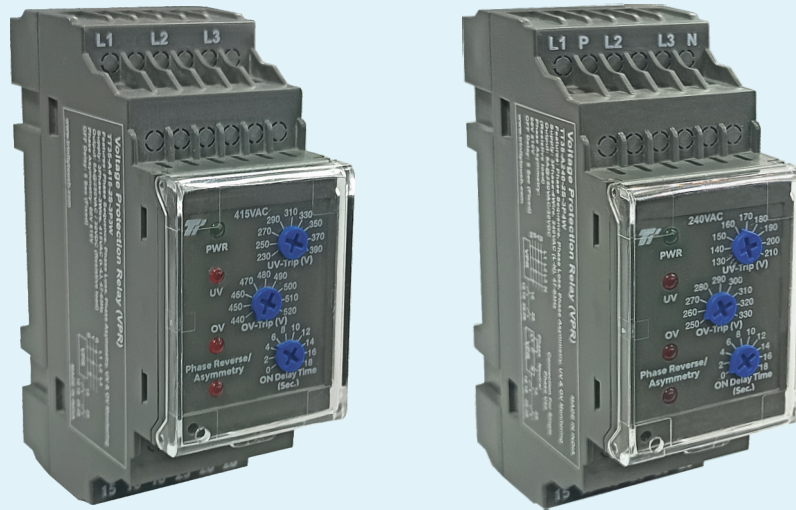
SIMPLY SOLUTIONS

Three Phase Voltage Monitoring Relays

Over-Voltage, Under-Voltage and Phase Sequence Monitoring Relay



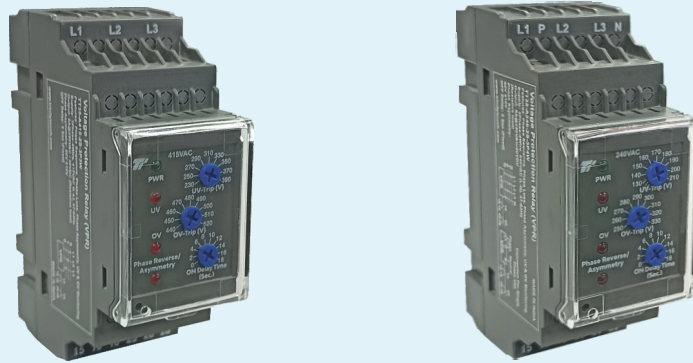
- Over- and undervoltage monitoring (adjustable)
- Phase failure detection
- Phase sequence and asymmetry monitoring
- Supply voltage = measured voltage
- Voltage monitoring in 3- & 1-phase mains
- 2 Change over contacts
- LEDs for the indication of operational states
- Width 35mm
- Din-rail mounting



Technical Specifications

Model	VPR 3Phase - 3Wire	VPR 3Phase - 4Wire
Supply Voltage	3 phase-3 wire, 415VAC	3 phase-4 wire, 240VAC (L-N)
Frequency	47/63Hz	
Power consumption (Max)	50VA (Max)	
Operating Voltage	220 to 520VAC (L-L)	120 to 330VAC (L-N)
Nominal Voltage	415 VAC (L-L)	240 VAC (L-N)
Trip Levels	Phase Asymmetry	60V ±10V
	Under Voltage	Settable (230 to 390) VAC (L-L)
	Over Voltage	Settable 440 to 520 VAC (L-L)
	Hysteresis	10 ±5V
Reset Condition	After removal of fault condition reset automatically after hysteresis of 10 ±5V	
Time Delay - Off Delay	5s (fixed)	
Time Delay - On Delay	0 to 18 Sec (Selectable)	
Time Accuracy	±5% ±100ms	
Output specification	Relay Out put	2 C/O (DPDT)
	Contact Rating	8A@250 VAC/30 VDC (Resistive)

	PWR	UV Led	OV Led	Phase Rev. / Asymmetry	Relay
LED Indication &/ Relay condition	Healthy	ON	OFF	OFF	Energised
	Under Voltage	ON	ON	OFF	De-Energised
	Over Voltage	ON	OFF	ON	De-Energised
	Phase Reverse	ON	OFF	OFF	De-Energised
	Phase Asymmetry	ON	OFF	OFF	Blink
Phase Loss	Blink	OFF	OFF	OFF	De-Energised



General Data	VPR 3Phase - 3Wire	VPR 3Phase - 4Wire
Module width (w)	35mm	
Module height (h)	65mm	
Module depth (d)	90mm	
Housing colour	Grey	
Ambient operating temperature	0 to 50° C	
Storage temperature	-20 to 70°C	
Humidity (Non Condensing)	25% to 85%	
Weight	150 gm Approx	
Mounting	DIN Rail	
Protection level	IP20	

Technical Specifications

Connection Data	
Type of connection	Screw connection
Nominal current carrying capacity	24A
Rated Voltage capacity	400 V
Connector cross section solid	Min/Max 0.2/4.0 mm ²
Conductor cross section stranded	Min/Max 0.2/2.5 mm ²
Tightening torque	0.5-0.6 Nm

Certifications

CE, RoHS. Compiled as per IEC 61000 and IEC 60068 standards

Ordering Information

Under, Over Voltage Monitoring Relay with PSR/SPP

Sr. no.	Article Number	Description	Pcs/Pkt.
1	011716862	TT35-A415-2S-3P3W	1
2	011716865	TT35-A240-2S-3P4W	1

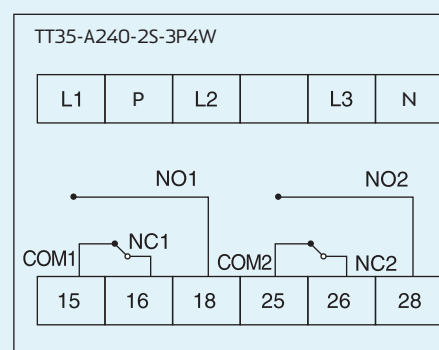
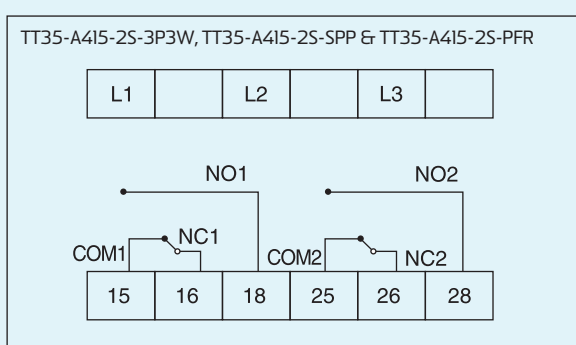
Phase Sequence Relay (PSR) / Single Phasing Preventer (SPP)

Sr. no.	Article Number	Description	Pcs/Pkt.
1	011716863	TT35-A415-2S-SPP	1

Phase Failure Relay (PFR)

Sr. no.	Article Number	Description	Pcs/Pkt.
1	011719718	TT35-A415-2S-PFR	1

Connection Diagram



Logic Nomenclature

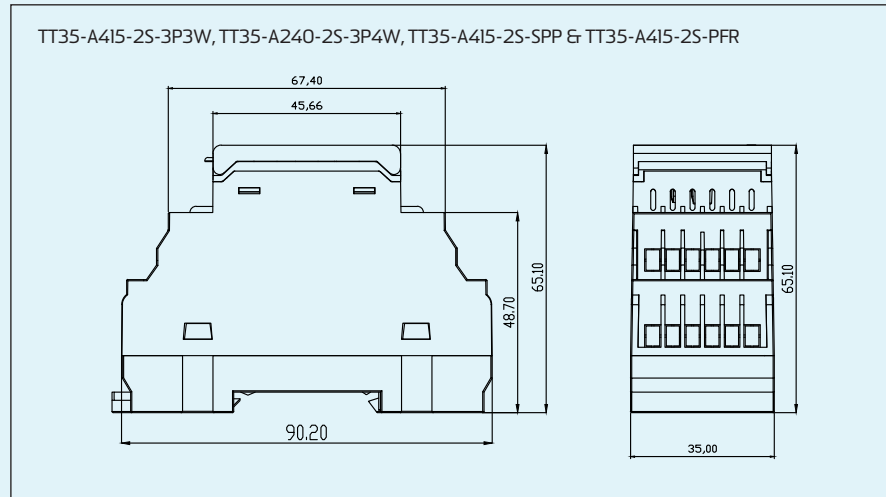
TT17/22-A415-IS-PSR/PFR, TT17-A415-IS-PSR-MI/TT35-A415-2S-SPP/PFR

TT	17/ 22/ 35	A415/ A240	IS/2S	PSR	PFR	MI	SPP	
								Single Phasing Preventer
								Multi-indication for different fault
								Phase failure relay
								Phase sequence relay
								1 C/O or 2 C/O relay output
								Operating voltage, 415 VAC/240 VAC
								Width of product in mm
								Trinity Touch

TT35-A415-2S-3P3W/3P4W

TT	35	A415/ A240	2S	3P3W/ 3P4W	
					3-Phase 3 Wire UV/OV with SPP feature or 3-Phase 4 Wire UV/OV with SPP feature
					2 C/O relay output
					Operating voltage, 415 VAC/240 VAC
					Width of product in mm
					Trinity Touch

Housing Dimensions



Application Area



Heating ventilation & Air conditioning



Generators



Automation control



Electrical distribution



Lift and Elevators



Energy efficiency



Pumping, Irrigation and Piping

Trinity Touch Pvt. Ltd.

www.trinitytouch.com

INDIA

Delhi: Corporate Office

D-10, Defence Colony, New Delhi 110024, INDIA

Tel: +91.11.71200900 | E-mail: postmaster@trinitytouch.com

Ahmedabad

Sun west Bank – A wing - 10th floor - 1012A- Ashram road near River front, Vallabh sadan (haveli), Ahmedabad 380015, INDIA

Kolkata

Srijan Corporate Park, Tower – 2, 6th Floor, Unit no. 606, Plot no. 2, Block EP & GP, Sector –V, Saltlake Electronic Complex, Kolkata 700091, INDIA
Tel. : +91-80-46231200

Pune

Office No: G1, Vascon Eco Tower, Baner-Pashan Link Road, Baner, Pune 411045 INDIA
Tel: +91.20.67170600

Mumbai

C-413, Rupa Solitaire, Millennium business park, Mahape, Navi Mumbai 400710 INDIA
Tel. : +91-20-67170600

Chennai

Flat No. 42, Apartment "Krishna" 59(39), 4TH Floor, 1st Avenue, 100 Feet Road, Ashok Nagar Chennai 600083, Tamil Nadu
Tel. : +91-80-46231200

Bengaluru

2nd Floor, Umiya Land Mark 10/7, Lavelle Road, Bengaluru 560001, INDIA
Tel: +91.80.46231200

Works & Warehouse

Prithla-Dudhola road, Dudhola Distt. Palwal, Haryana 121102, INDIA
Tel: +91.1275.711500 E-mail: sales@trinitytouch.com



Trinity Touch (EUROPE) Ltd.

www.trinitytouch.co.uk

UK

Unit-L, Tyson Courtyard, Weldon South Industrial Estate, Corby, Northants, NN18 8AZ, UK
Tel: +44 (0) 1536 400 641

E-mail: gbsales@trinitytouch.com

Trinity Touch- FZCO, UAE

UAE

Building 8W, Block A, Level 5 , Off.No. 535
Dubai Airport Freezone, Dubai, UAE

Trinity Touch Pvt. Ltd.

AUSTRALIA

Level 11, 66 Clarence Street, Sydney NSW 2000, Australia
Tel. : +61 414 437 829

Distributed by :

